



DEPARTMENT OF REGULATORY AND ECONOMIC RESOURCES (RER)  
BOARD AND CODE ADMINISTRATION DIVISION

MIAMI-DADE COUNTY  
PRODUCT CONTROL SECTION  
11805 SW 26 Street, Room 208  
Miami, Florida 33175-2474  
T (786) 315-2590 F (786) 315-2599  
[www.miamidade.gov/economy](http://www.miamidade.gov/economy)

## NOTICE OF ACCEPTANCE (NOA)

**Ceramica Verea S.A.**  
**Lanzá S/N, 15685 Mesia**  
**La Coruña, SPAIN**

### SCOPE:

This NOA is being issued under the applicable rules and regulations governing the use of construction materials. The documentation submitted has been reviewed and accepted by Miami-Dade County RER - Product Control Section to be used in Miami Dade County and other areas where allowed by the Authority Having Jurisdiction (AHJ).

This NOA shall not be valid after the expiration date stated below. The Miami-Dade County Product Control Section (In Miami Dade County) and/or the AHJ (in areas other than Miami Dade County) reserve the right to have this product or material tested for quality assurance purposes. If this product or material fails to perform in the accepted manner, the manufacturer will incur the expense of such testing and the AHJ may immediately revoke, modify, or suspend the use of such product or material within their jurisdiction. RER reserves the right to revoke this acceptance, if it is determined by Miami-Dade County Product Control Section that this product or material fails to meet the requirements of the applicable building code.

This product is approved as described herein, and has been designed to comply with the Florida Building Code including the High Velocity Hurricane Zone of the Florida Building Code.

### DESCRIPTION: Verea System

**LABELING:** Each unit shall bear a permanent label with the manufacturer's name or logo, city, state and following statement: "Miami-Dade County Product Control Approved", unless otherwise noted herein.

**RENEWAL** of this NOA shall be considered after a renewal application has been filed and there has been no change in the applicable building code negatively affecting the performance of this product.

**TERMINATION** of this NOA will occur after the expiration date or if there has been a revision or change in the materials, use, and/or manufacture of the product or process. Misuse of this NOA as an endorsement of any product, for sales, advertising or any other purposes shall automatically terminate this NOA. Failure to comply with any section of this NOA shall be cause for termination and removal of NOA.

**ADVERTISEMENT:** The NOA number preceded by the words Miami-Dade County, Florida, and followed by the expiration date may be displayed in advertising literature. If any portion of the NOA is displayed, then it shall be done in its entirety.

**INSPECTION:** A copy of this entire NOA shall be provided to the user by the manufacturer or its distributors and shall be available for inspection at the job site at the request of the Building Official.

This NOA consists of pages 1 through 6.  
The submitted documentation was reviewed by Alex Tigera.



NOA No.: 13-0327.02  
Expiration Date: 10/24/18  
Approval Date: 10/24/13  
Page 1 of 6

## ROOFING COMPONENT APPROVAL:

**Category:** Roofing  
**Sub-Category:** Underlayment  
**Material:**

### SCOPE:

This acceptance is for the **Verea System** consisting of **Onduline BT-10, Verea BM3** as described in this Notice of Acceptance, for use with approved prepared roof tile assemblies where Verea System is specified and installed as described herein. Designed to comply with the Florida Building Code including the High Velocity Hurricane Zone of the Florida Building Code

### TRADE NAMES OF PRODUCTS MANUFACTURED OR LABELED BY APPLICANT:

<u>Product</u>	<u>Dimensions</u>	<u>Test Specifications</u>	<u>Product Description</u>
Onduline BT-10	Length: 80" (2020mm) Width: 41" (1050mm) Thickness: 0.106" (2.7mm)	TAS 104	Rigid, mechanically attached, asphalt saturated, composite panel for use as a roof tile underlayment in conjunction with Verea BM3.
Verea BM3	Length: 50m rolls (164 ft.) Width: 60" (1.5m) or 12" (0.3m) Thickness: 0.4mm	ASTM D 226 Type I	Polypropylene Breathable Membrane for use as a base sheet with the Onduline BT-10

### EVIDENCE SUBMITTED:

<u>Test Agency</u>	<u>Test Identifier</u>	<u>Test Name/Report</u>	<u>Date</u>
PRI Construction Materials Technologies	CVER-004-02-01	TAS 104	02/08/13
	CVER-008-02-01	TAS 104	07/29/13
	CVER-003-02-01	TAS 100	11/09/12
	CVER-010-02-01	TAS 100	09/20/13
	CVER-005-02-01	ASTM D 226	01/31/13
	CVER-009-02-01	TAS 114 App. C	09/19/13



NOA No.: 13-0327.02  
Expiration Date: 10/24/18  
Approval Date: 10/24/13  
Page 2 of 6

## APPROVED ASSEMBLIES:

- Deck Type 1:** Wood, non-insulated, new construction
- Deck Description:**  $1\frac{9}{32}$ " or greater plywood or wood plank
- System E(1):** Verea System; Anchor sheet (Verea BM3) mechanically fastened deck, Membrane (Onduline BT-10) mechanically attached.
- Base Sheet:** One or more plies of Verea BM3 with a minimum 4" head lap and a 6" side lap mechanically fastened to deck with 0.113" x 1-3/4" long ring shank nails and 1-5/8" diameter, 32 ga. tin caps 6" o.c. at the laps and two staggered rows 12" o.c. the field of the roll.
- At the ridge, use a single layer of Verea BM3 installed over the ridge and fastened 6" o.c. along each edge with 0.113" x 1-3/4" long ring shank nails and 1-5/8" diameter, 32 ga. tin caps.
- Membrane:** Onduline BT-10 is to be installed with a minimum 6" head lap and a 3-1/2" side lap. Place the first course of parallel to the eave. Fasten the underlayment panel to the deck along each pan of the panel in a staggered 12" o.c. pattern with 0.113" x 1-3/4" long ring shank nails and 1-5/8" diameter, 32 ga. tin caps.
- The adjacent panel shall overlap the installed underlayment panel. At the side lap and end lap intersection, the underlayment panel shall be fastened through the middle rib with one (1) 0.113" x 1-3/4" long ring shank nail with minimum 3/8" heads.
- The next rows of Onduline BT-10 is to be installed in a staggered pattern
- Secure the underlayment panel along the gable edges by nailing 12" o.c. with 0.113" x 1-3/4" long ring shank nails minimum 3/8" heads.
- Secure the underlayment panel along the ridge, eave, and valley by nailing through the middle rib, 1" from the edge with 0.113" x 1-3/4" long ring shank nails minimum 3/8" heads.
- Valley:** Valley flashing metal shall be centered on the valley over the Verea BM3 underlayment and fastened to the deck with 12 ga x 1-1/4" galvanized ring shank nails. Place fasteners 12" o.c. and 1" from exterior edge. Seal the valley metal to the Verea BM3 with a minimum 1/8" bead of Miami Dade Approved Polyurethane Caulk.
- Create an open valley by striking chalk lines 3" on either side of the valley centerline. The Onduline BT-10 panels shall be trimmed to the chalk center line creating a 6" open valley.
- Edge Metal:** In addition to code prescriptive fastening patterns of the edge metals, seal the edge metals to the Verea BM3 underlayment with a minimum 1/8" bead of Miami Dade Approved Polyurethane Caulk. Any overlaps of the metal shall also be sealed using Miami Dade Approved Polyurethane Caulk.
- Surfacing:** Ceramica Verea Roof Tiles as per Miami-Dade Notice of Acceptance.

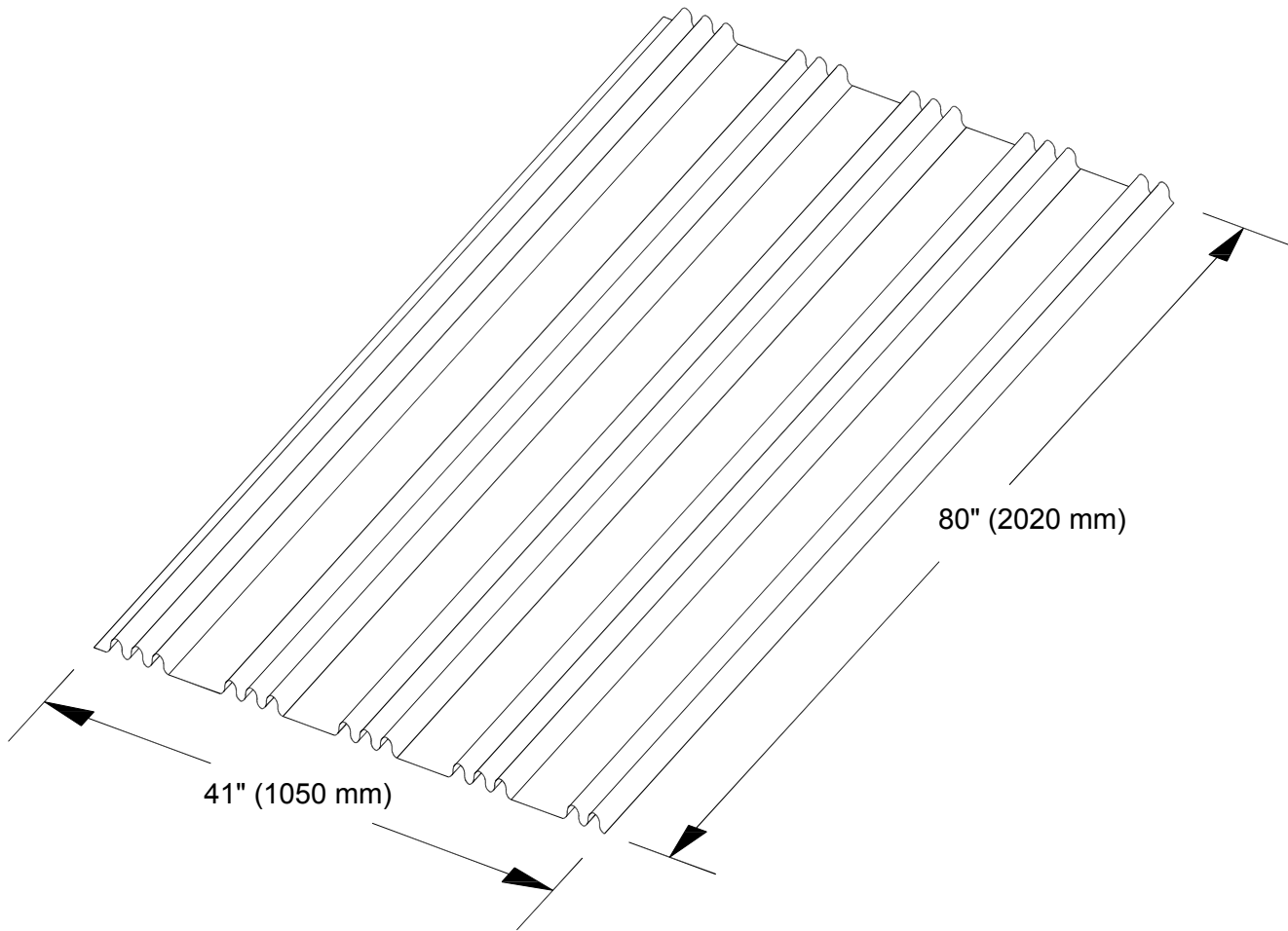


## LIMITATIONS:

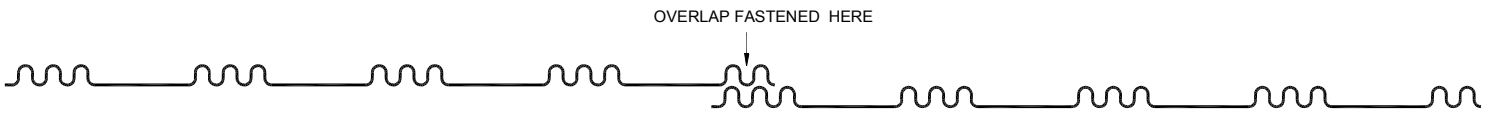
1. Fire classification is not part of this acceptance.
2. This acceptance is for prepared roofing applications. Minimum deck requirements shall be in compliance with applicable building code. Verea System shall be installed in strict compliance with applicable Building Code.
3. Verea System shall be applied to a smooth, clean and dry surface with deck free of irregularities.
4. Verea System shall not be applied over an existing roof membrane as a recover.
5. Verea System underlayment shall not be left exposed as a temporary roof for longer than 30 days of application.
6. Refer to Prepared Roofing system Product Control Notice of Acceptance for listed approval of this product with specific prepared roofing products.
7. Verea System may be used with any approved roof covering listing a specific Verea System product as a component part of a roof assembly Notice of Acceptance. If a Verea System product is not listed, a request may be made to the authority having jurisdiction or the Miami Dade Product Control Office for approval provided that appropriate documentation is provided to detail compatibility of the products, wind uplift resistance, and fire testing results.
8. All nails in the deck shall be carefully checked for protruding heads. Re-fasten any loose decking panels. Sweep the deck thoroughly to remove any dust and debris prior to application.
9. When applying the Verea BM3 membrane in the valley, start at the low point and work to the high point, rolling the membrane from the center outward in both directions. For ridge applications, center the membrane and roll from the center outward in both directions.
10. Roll or broom the entire membrane surface so as to have 100% contact with the surface, giving special attention to overlap areas.
11. Flash vent pipes, stacks, chimneys and penetrations in compliance with Roof Assembly current Product Control Notice of Acceptance and applicable Building Code.
12. All products listed herein shall have a quality assurance audit in accordance with the Florida Building Code and Rule 9N-3 of the Florida Administrative Code.
13. All membranes or packaging shall bear the imprint or identifiable marking of the manufacturer's name or logo and the following statement: "Miami-Dade County Product Control Approved" or the Miami-Dade County Product Control Seal as shown below.



# DRAWINGS



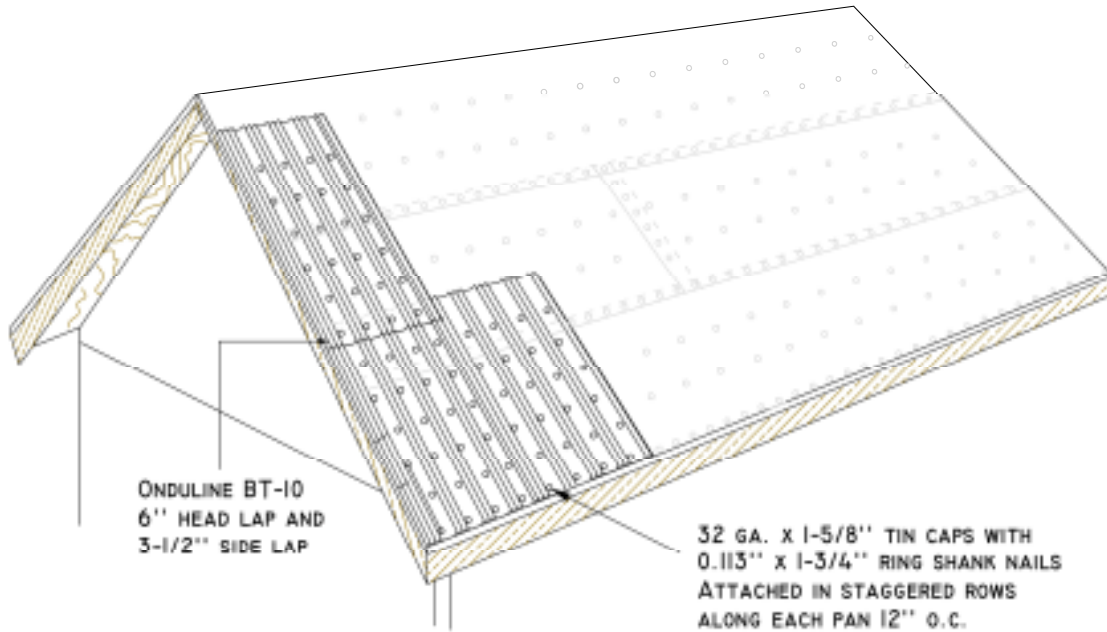
## ONDULINE BT-10



## OVERLAP DETAIL



## ONDULINE BT-10 LAYOUT DETAIL



Note: Edge and Flashing details not shown in this drawing.

**END OF THIS ACCEPTANCE**



NOA No.: 13-0327.02  
Expiration Date: 10/24/18  
Approval Date: 10/24/13  
Page 6 of 6