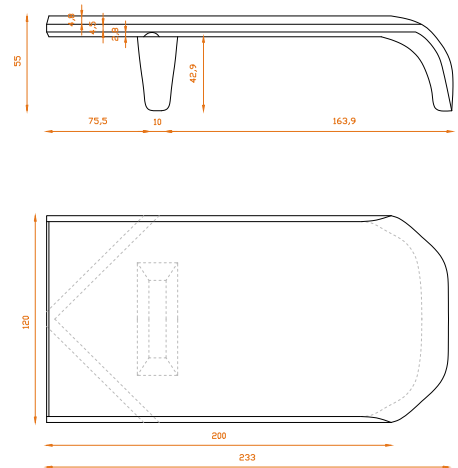


TECHNICAL SPECIFICATION SHEET

ARTÍCULO

BIG UNDER RIDGE & HIP

SCHEME



CHARACTERISTICS

Material

Cooked clay

Approximate weight

2 lb 0,9 kg

Declared characteristics

Long: 7,87" 200 mm

Width: 4,72" 120 mm

Values guaranteed by the manufacturer

± 15 mm

± 10 mm

FINISHES

Mass coloring

Red and graphite

Surface finishes

Brown and decoration with colored slips

Hydrophobic treatment

Only on request

OBSERVATIONS

Installation only for 40x20, 45x20, 50x21 barrel roof tile and and Spanish 'S' roof tile.