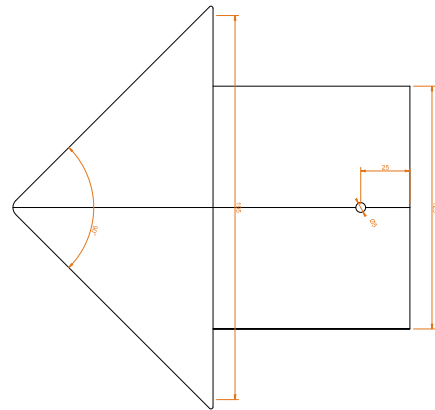


## TECHNICAL SPECIFICATION SHEET

### ARTÍCULO

**HIP STARTER FOR FLAT ROOF TILE**

### SCHEME



### CHARACTERISTICS

**Material**

**Cooked clay**

**Approximate weight**

**1,48 lb 0,67 kg**

**Declared characteristics**

**Width of mouth: 7,68" 195 mm**

**Values guaranteed by the manufacturer**

**± 10 mm**

### FINISHES

**Mass coloring**

**Red and graphite**

**Surface finishes**

**Brown and decoration with colored slips**

**Hydrophobic treatment**

**Only on request**

### OBSERVATIONS

**Screw of 4,2x70mm**