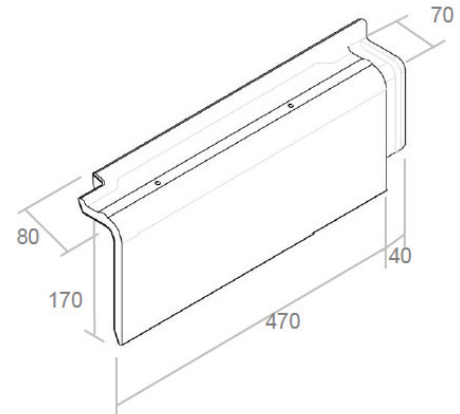


TECHNICAL SPECIFICATION SHEET

ARTÍCULO

STRAIGHT RAKE

SCHEME



CHARACTERISTICS

Material

Cooked clay

Approximate weight

2 lb **0,9 kg**

Declared characteristics

Long: 18,5" **470 mm**

Width: 3,15" **80 mm**

Gable: 6,70" **170 mm**

Fitting: 1,58" **40 mm**

Values guaranteed by the manufacturer

± 10 mm

± 15 mm

± 10 mm

± 10 mm

FINISHES

Mass coloring

Red and graphite

Surface finishes

Brown and decoration with colored slips

Hydrophobic treatment

Only on request

OBSERVATIONS

Available right side and left side.