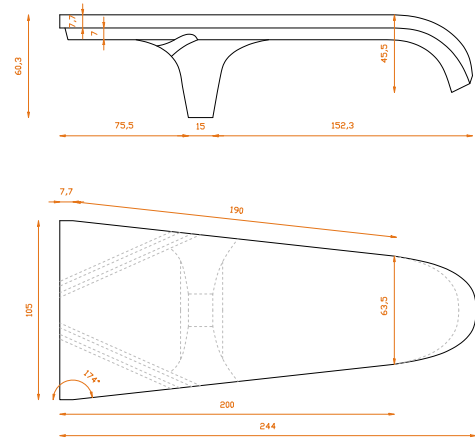
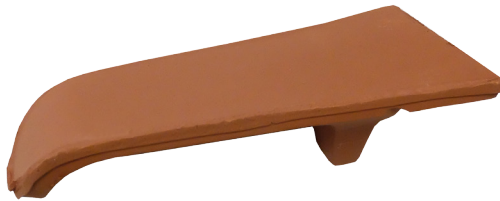


## TECHNICAL SPECIFICATION SHEET

### ARTÍCULO

**SMALL UNDER RIDGE & HIP**

### SCHEME



### CHARACTERISTICS

Material

**Cooked clay**

Approximate weight

**1,32 lb 0,6 kg**

Declared characteristics

Long: 7,87" **200 mm**

Width: 4,13" **105 mm**

Values guaranteed by the manufacturer

**± 15 mm**

**± 10 mm**

### FINISHES

Mass coloring

**Red and graphite**

Surface finishes

**Brown and decoration with colored slips**

Hydrophobic treatment

**Only on request**

### OBSERVATIONS

**Installation only for 40x15 or 40x17 barrel roof tile.**