

# AENOR

## AENOR Product Certificate Clay products for construction



**034/001927**

AENOR certifies that the organization

### **CERÁMICA VEREA, S.A.**

registered office CL LANZA, S/N 15685 MESÍA (A Coruña - España)

supplies Clay roofing tiles and fittings

in compliance with UNE-EN 1304:2014 (EN 1304:2013)

Nº Technical Form 2060201 (see annex)

Production site 390508 - 390505

Certification scheme This Certificate has been granted in accordance with the stipulations of the Specific Rules RP 34.02

This certificate supersedes 034/001927, dated 2016-04-05

First issued on 2016-04-05

Modified on 2017-03-08

Validity date 2022-03-08




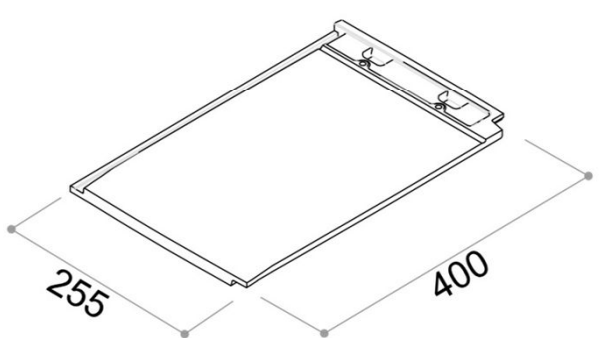
Avelino BRITO  
General Manager

Original Electrónico

AENOR INTERNACIONAL S.A.U.  
Génova, 6. 28004 Madrid. España  
Tel. 91 432 60 00.- [www.aenor.com](http://www.aenor.com)

Product certification body accredited by ENAC, number 01/C-PR271

## AENOR MARK FOR CLAY ROOFING TILES AND FITTINGS TECHNICAL FORM N°: 2060201

Stamp and signature:	MANUFACTURER: CERAMICA VEREA, S.A			 Certified Product			
	MADE IN: 390508-390505						
	TILE DESCRIPTION: PLAIN TILE WITH HEADLOCK EN 1304						
	BRAND NAME: TEJA VEREA PLANA						
Construction details where the material named in this technical form have been placed: (For the final qualification, this technical form shall be stamped and signed by the manufacturer)	<b>STATED CHARACTERISTICS</b>			<b>VALUES RULES FROM AENOR</b>			
	<b>REQUIRED</b>			Structural faults (% faults)	EN 1304	≤ 2,5	
	Nominal dimensions (mm)						
		Length	Width	Length tolerance (%)	EN 1024	± 2,0	
	Individuals	400	255				
	Overlap	X					
	<b>Over and Under Tiles</b>			Width tolerance (%) (not applicable in Over and Under tiles)		± 2,0	
		Maximum width	Minimum width				
		-	-	Uniformity of the transverse profile (mm) (Only for Over and Under Tiles)	EN 1024	≤ 15	
	<b>Impermeability</b>						
	Category 1	X	Test method 1				X
	Category 2		Test method 2				
	<b>Frost resistance</b>			Camber/Twist (%)		≤ 1,5	
	Level 1 (n° cycles without damages ≥ 150)		X				
	Level 2 (n° cycles without damages ≥ 90)			L > 300 mm		≤ 2,0	
				L ≤ 300 mm			
	<b>OPTIONAL CHARACTERISTICS ANNEX D RP 34 02</b>			Impermeability (cm <sup>3</sup> /cm <sup>2</sup> x d)	EN 539-1	≤ 0,5	
		YES	NO				
	Impermeability (D.2 RP 34.02)		X				
	Frost Resistance (D.3 RP 34.02)		X				
<b>TILE SKETCH</b>			Mean value	D.2 RP 34.02	N/A		
						Individual value	D.2 RP 34.02
			<b>Additional information given by the manufacturer <sup>(1)</sup></b>				
			Unitary mass (in grams):			2950	
			Roof tiles number in m <sup>2</sup> (with one decimal):			12,5	
Length distance between battens (cm):			33				
Surface finish:			Decoration with colored engobes and painted				
Mass coloration:			Red, graphite				
Fixing types:			Hook, screw				
Further information:			Grade 1 according to ASTM C-1167 (<6% water absorption)				
<b>Accessories:</b>							
Hip & Ridge and Straight Rake (manufactured at the factory of Vereja in Lanzá-Mesia, Spain)							

<sup>(1)</sup> AENOR is not responsible for the information in this square, the responsibility is exclusively and only for the manufacturer's.

Water repellent treatment if is requested

# AENOR